

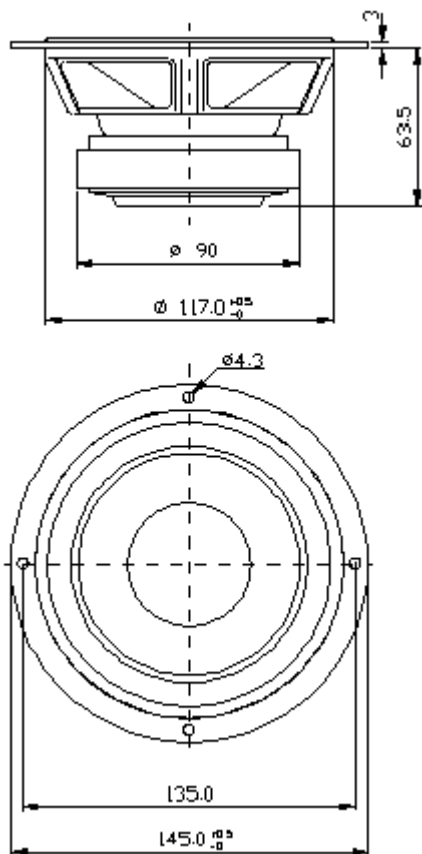


Peerless Data Sheet

CSX 145 H

145 WR 26 90 SD AL 8 ohm - Order ID: 850108

5" high-end woofer with long voice coil and extra heavy magnet. Optimised for small reflex constructions where long linearity gives an extraordinary bass performance with very low distortion.



CSX 145 H

Thiele Small parameters:

		Free air	Common	Baffled
Nominal impedance	Zn (ohm)		8	
Minimum impedance/at freq.	Zmin (ohm/Hz)		6.6/345	
Maximum impedance	Zo (ohm)		31.9	
DC resistance	Re (ohm)		6.1	
Voice coil inductance	Le (mH)		0.9	
Capacitor in series with 8 ohm (for impedance compensation)	Cc (µF)		7	
Resonance Frequency	fs (Hz)	48.0		47.1

Mechanical Q factor	Qms		1.78	1.82
Electrical Q factor	Qes		0.42	0.43
Total Q factor	Qts		0.34	0.35
F (Ratio fs/Qts)	F	(Hz)		136
Mechanical resistance	Rms	(Kg/s)		1.70
Moving mass	Mms	(g)	10.0	10.4
Suspension compliance	Cms	(mm/N)		1.09
Effective cone diameter	D	(cm)		10.8
Effective piston area	Sd	(cm ²)		91
Equivalent volume	VAS	(ltrs)		12.5
Force factor	Bl	(N/A)		6.6
Reference voltage sensitivity Re 2.83V 1m at 345 Hz (Measured)		(dB)		87.5

Magnet and voice coil parameters:

Voice coil diameter	d	(mm)	26	
Voice coil length	h	(mm)	15	
Voice coil layers	n		2	
Flux density in gap	B	(T)	1.17	
Total useful flux		(mWb)	0.81	
Height of the gap	hg	(mm)	6	
Diameter of magnet	dm	(mm)	90	
Height of magnet	hm	(mm)	15	
Weight of magnet		(kg)	0.4	

Power handling:

Long term Max System Power (IEC)		(W)	110	
----------------------------------	--	-----	-----	--

Measuring methods and conditions are stated in
Peerless Standard for Acoustic Measurements (PSAM)